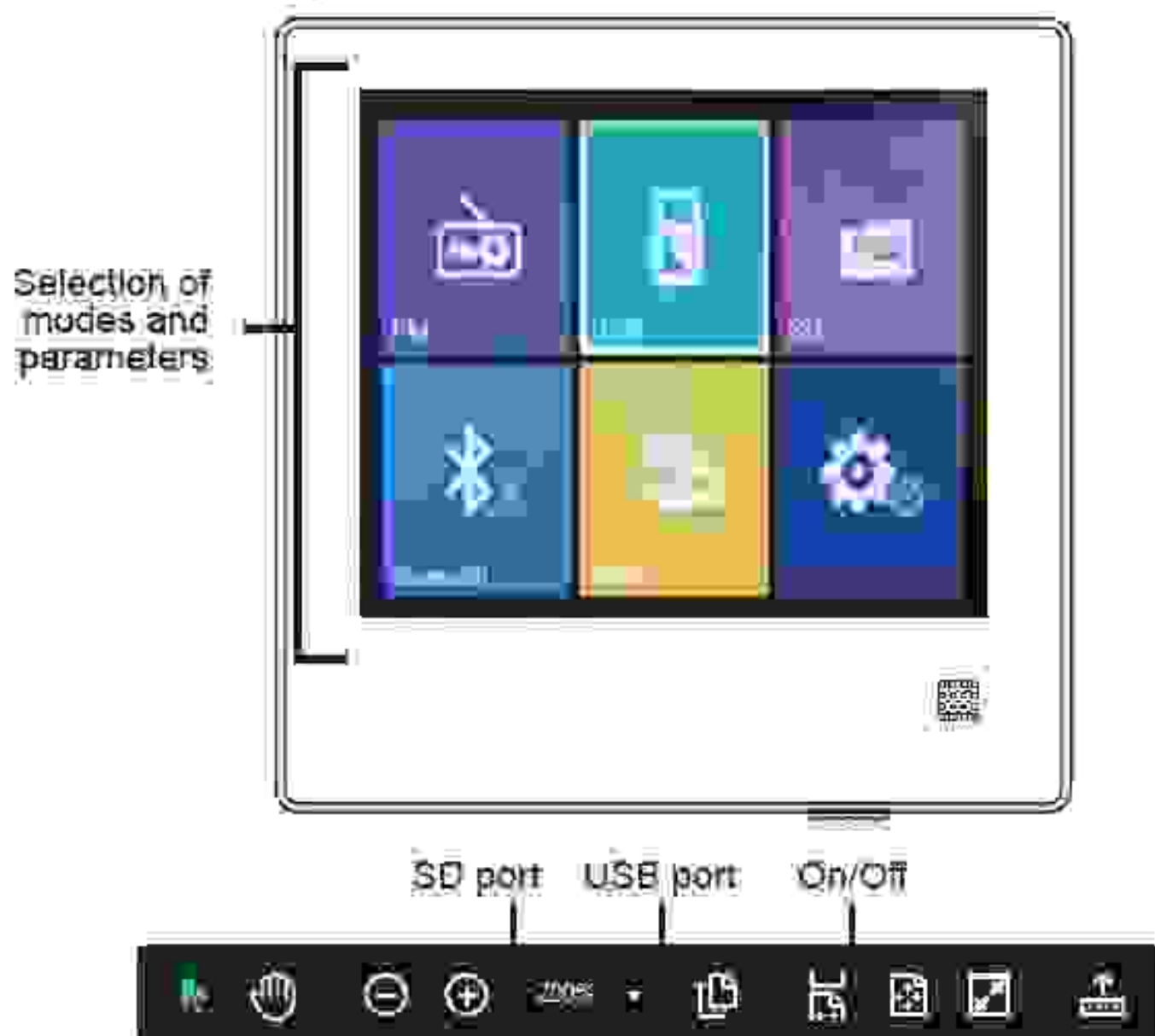




2 - General features


- Simple and practical music control device
- Multi-function touch screen
- Elegant design, high sensitivity keys and LCD display
- Multiple audio sources: FM, SD, USB, BLUETOOTH, AUX IN.
- Line output AUX OUT.
- Multiple audio formats: MP3, WAV, FLAC, ...etc.
- Adjustable sensitivity of the auxiliary input
- Automatic or manual FM reception and the ability to store up to 20 stations.
- Power supply input from 100 to 240V.
- Type D amplification 2x 10W / 8Ω
- Infrared remote control

3 - Device description



4 - Turning on, off and standby




- Turning On : Push the switch to the right.
- Turning Off : Push the switch to the Left.
- Standby mode : Press the  button. Press this button again to exit the standby mode.

5 - Playback functions

5.1 - FM

Double-click the **FM** button to select the FM mode.

Automatic scan : Press the  button to start the automatic station search. The system will automatically store the stations with the best reception.

Station storage : Press the  button to store the current station.

Manual setting : Use the + and - keys to vary the frequency.

Switch from one station to another : Use the  and  button to navigate between the stored stations.

Volume control : Use the  cursor to adjust the volume.



5.2 - USB/SD

Use the **USB** or **SD** button to select **SD** or **USB** mode.

If an **SD** card or **USB** media is inserted and contains playable songs, playback starts automatically and the display shows the progress of the time.

Playback control

- Use **▶|** and **|◀** buttons to move from one song to another.
- Use **⏸** button to pause or restart playback.

Volume control - Use the  cursor to adjust the volume.

5.3 - BLUETOOTH

Double-click the **Bluetooth** button to select **BLUETOOTH** mode.

To establish the connection, look for the device named **WALLAMPTOUCH** or your **Bluetooth** device. Then enter the code: **1234** to finalize the connection.

Playback control Use your device to manage playback features.

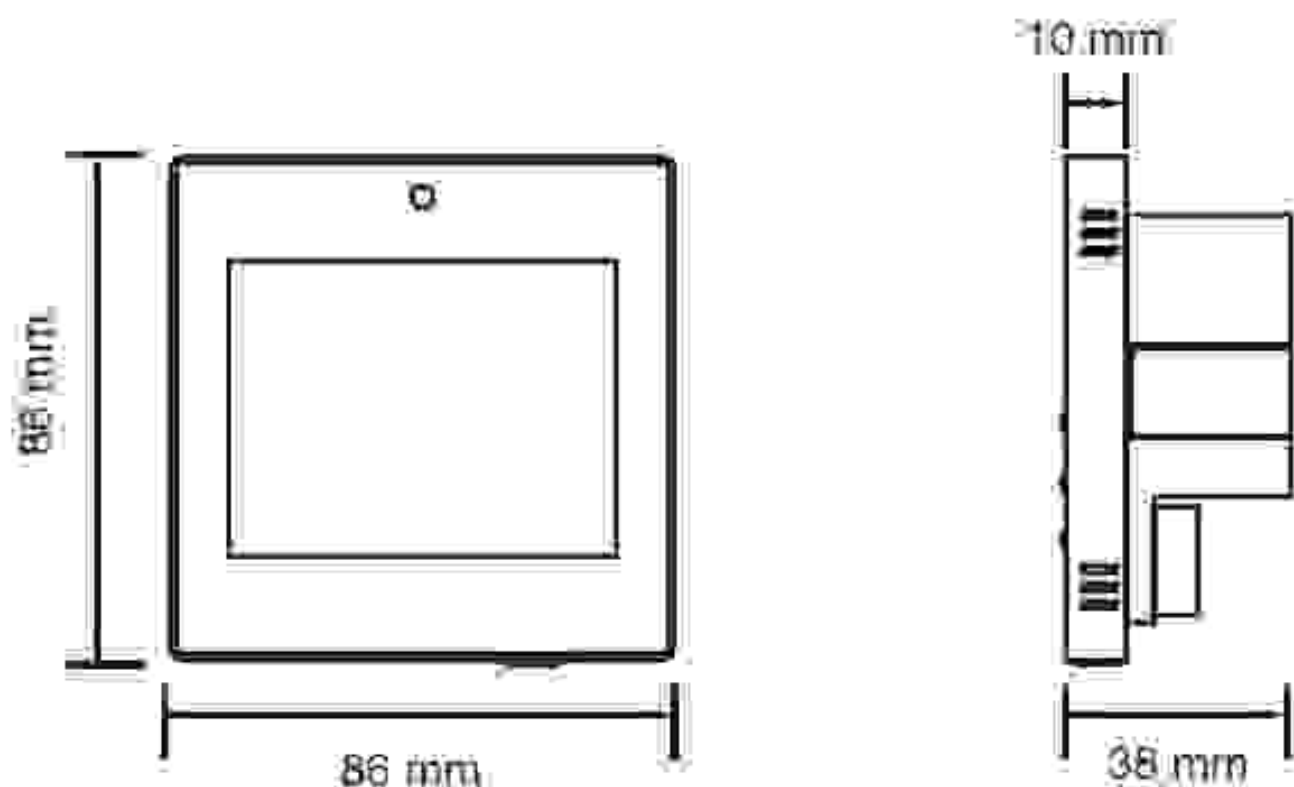
Volume control - Use the  cursor to adjust the volume.

Changing the Bluetooth name:

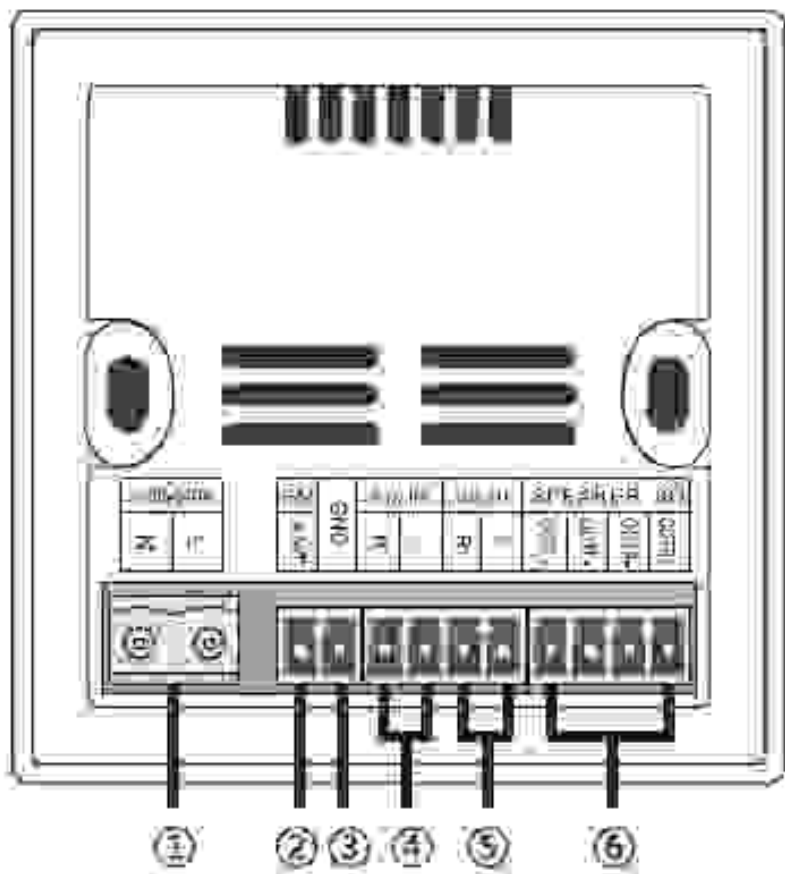
1. Insert a **USB** stick or **SD** card into the reader.
 2. Go to settings on page 3 the player then creates a file named **BT_info.txt** at the root of the media.
 3. Turn off the player.
 4. Insert the **USB** stick or **SD** card into a computer.
 5. Edit the **BT_info.txt** file. The file contains a line composed as follows: **NAME=**. You can then change the name.
 6. Insert the **USB** stick or **SD** card back into the player.
 7. Go to Settings on page 3.
 8. In front of the **BT** name line, click on **Update**.
 9. Restart the player.
-

8 - Technical data

Controller	Power supply	AC 100-240V
	Power output	2 x 10W
	Impedance	8 Ohms
	T.H.D	$\leq 0.03\%$ (1KHz, 1W, 8 Ω)
	S/N ratio	> 81 dB
	Frequency response	20Hz ~ 20KHz
	AUX IN sensitivity	1.0V/500mA
	Audio format	MP3, WAV, FLAC ... etc
	Bluetooth input	BT4.0
	Storage type	USB / SD / Bluetooth
	Product size	86 x 86 x 38 mm
Infrared remote control	Included of effective emitter region	60°
	Control distance	10 m
	Battery	CR2032



9 - Connexions



- ① AC 100~240V power input
- ② FM antenna connexion
- ③ Ground
- ④ AUX input (2 x 0.3 mm²)
- ⑤ AUX output (2 x 0.3 mm²)
- ⑥ Power amplifier output

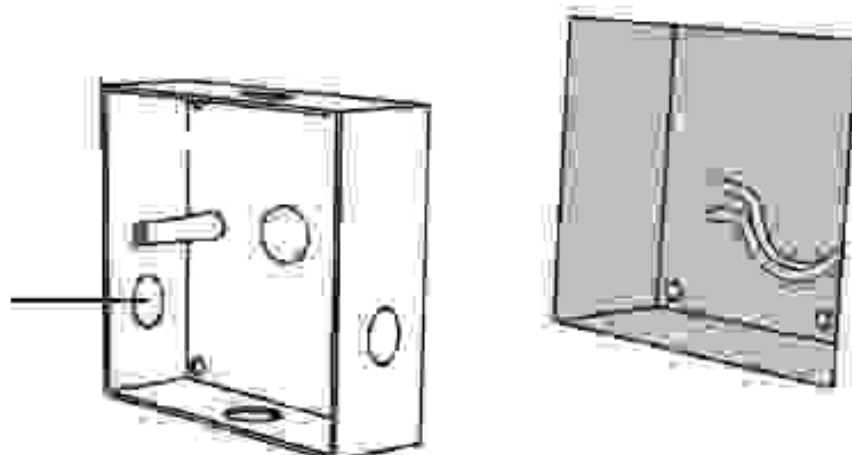
Function	Symbol	Name
Power supply	N	Zero line
	L	Fire wire
FM	ANT	FM antenna
GND		Ground
AUX IN	R	Right-AUX IN input
	L	Left-AUX IN input
AUX OUT	R	Right-AUX OUT output
	L	Left-AUX OUT output
Power output 8 Ω	OUTL+	Left speaker positive end
	OUTL-	Left speaker negative end
	OUTR+	Right speaker positive end
	OUTR-	Right speaker negative end

10 - Installation

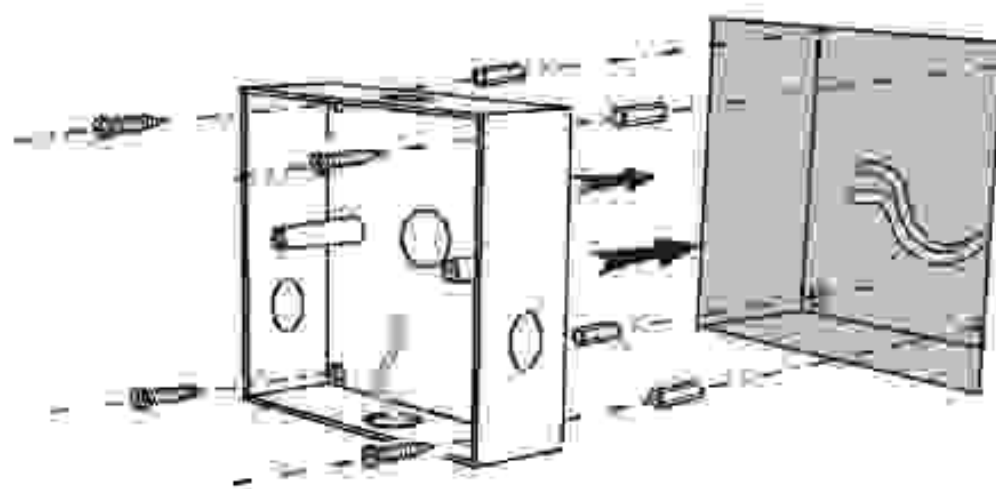
Note: The flush-mounted box must not be less than 40 mm deep.

1 - Make an opening in the wall corresponding to the dimensions of the flush-mounted box.

Drilling to be reserved for connection



2 - Secure the flush-mounted box securely with dowels suitable for the bracket.



3 - As shown in the figure below, unclip the front panel and gently remove the back of the controller.

